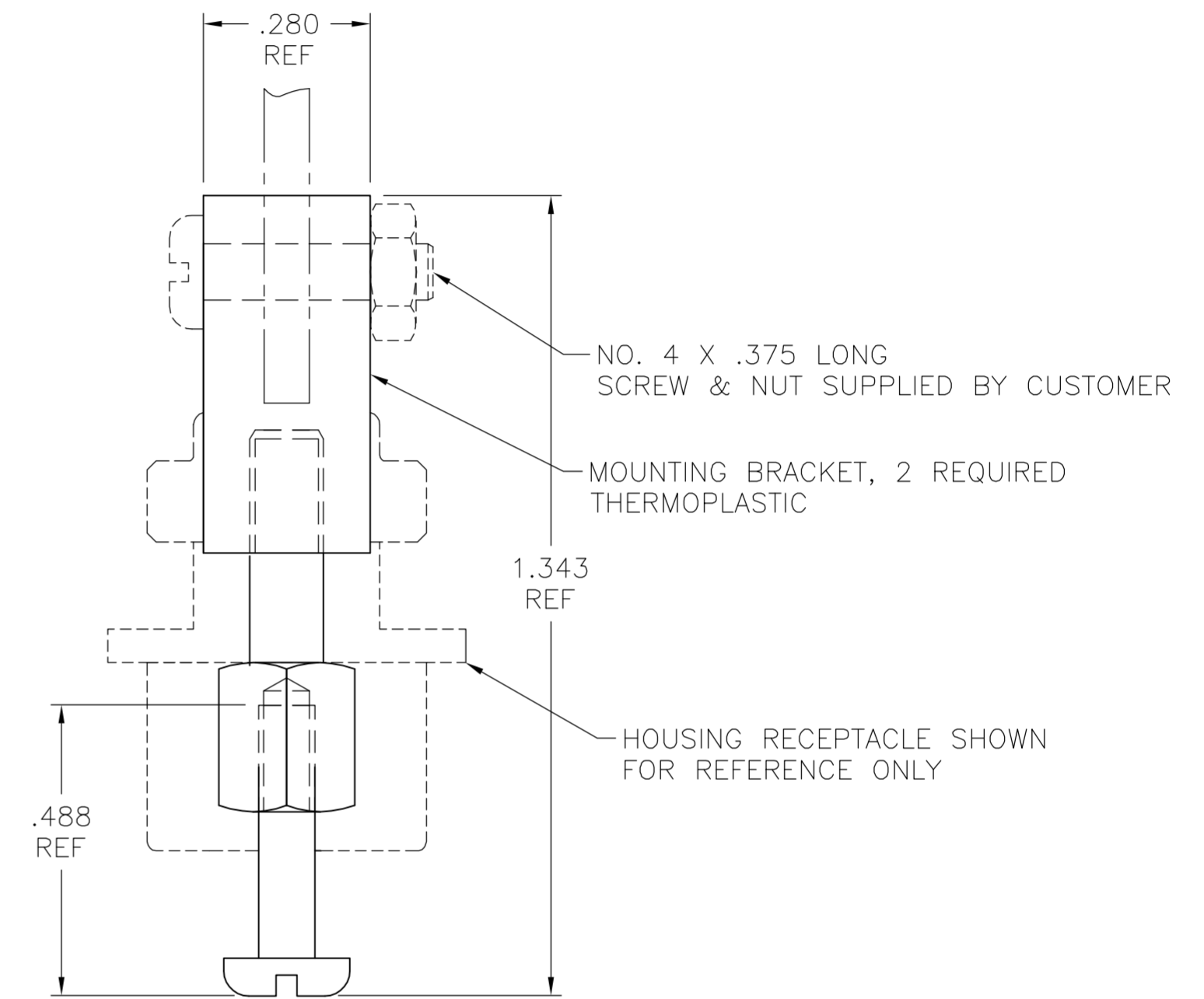
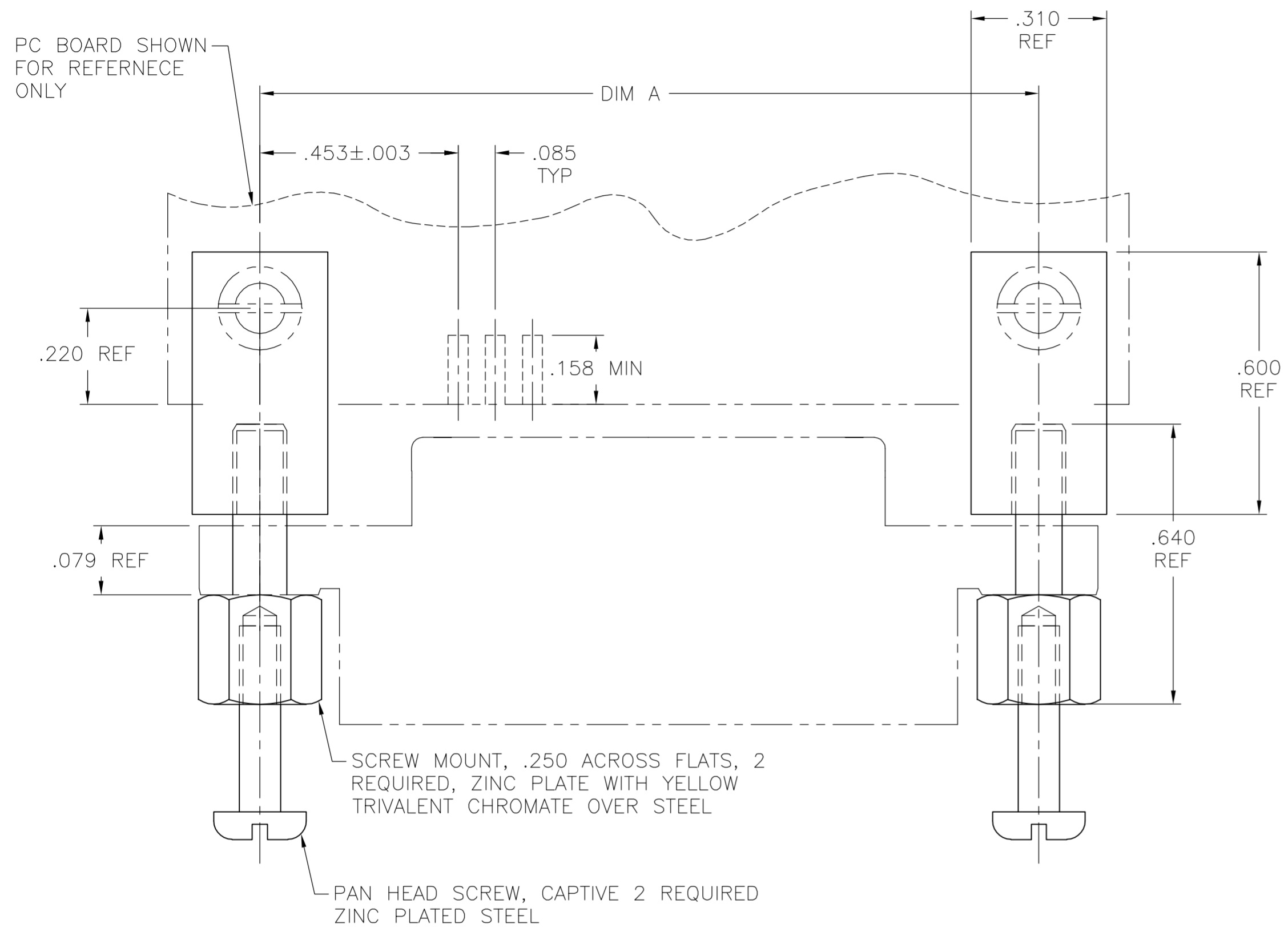


THIS DRAWING IS UNPUBLISHED. RELEASED FOR PUBLICATION
 © COPYRIGHT BY TYCO ELECTRONICS CORPORATION. ALL RIGHTS RESERVED.

LOC	DIST	REVISIONS					
GP	00	P	LTR	DESCRIPTION	DATE	DWN	APVD
		0		RELEASED PER EC 0513-0288-05	03OCT05	BM	WM



64	3.542	.125
50	2.946	.125
36	2.352	.125
24	1.842	.125
14	1.416	.125
NUMBER OF POSITIONS	DIM A	MOUNTING HOLE DIAMETER

5552675-1
 PART NUMBER

THIS DRAWING IS A CONTROLLED DOCUMENT.

DWN	B. MCMASTER	03OCT05	 Tyco Electronics Corporation Harrisburg, PA 17105-3608					
CHK	W. MILLHIMES	03OCT05						
APVD	W. MILLHIMES	03OCT05						
PRODUCT SPEC	NAME							
APPLICATION SPEC	HARDWARE KIT, SCREW LOCK, EDGE MOUNT, CHAMP		RESTRICTED TO					
MATERIAL	FINISH	WEIGHT	SIZE	CAGE CODE	DRAWING NO	SCALE	SHEET	REV
-	-	-	A2	00779	C=5552675	4:1	1 of 1	0
CUSTOMER DRAWING								